

HARD SHELL ROOFTOP TENT



Installation Manual

INSTRUCTIONS

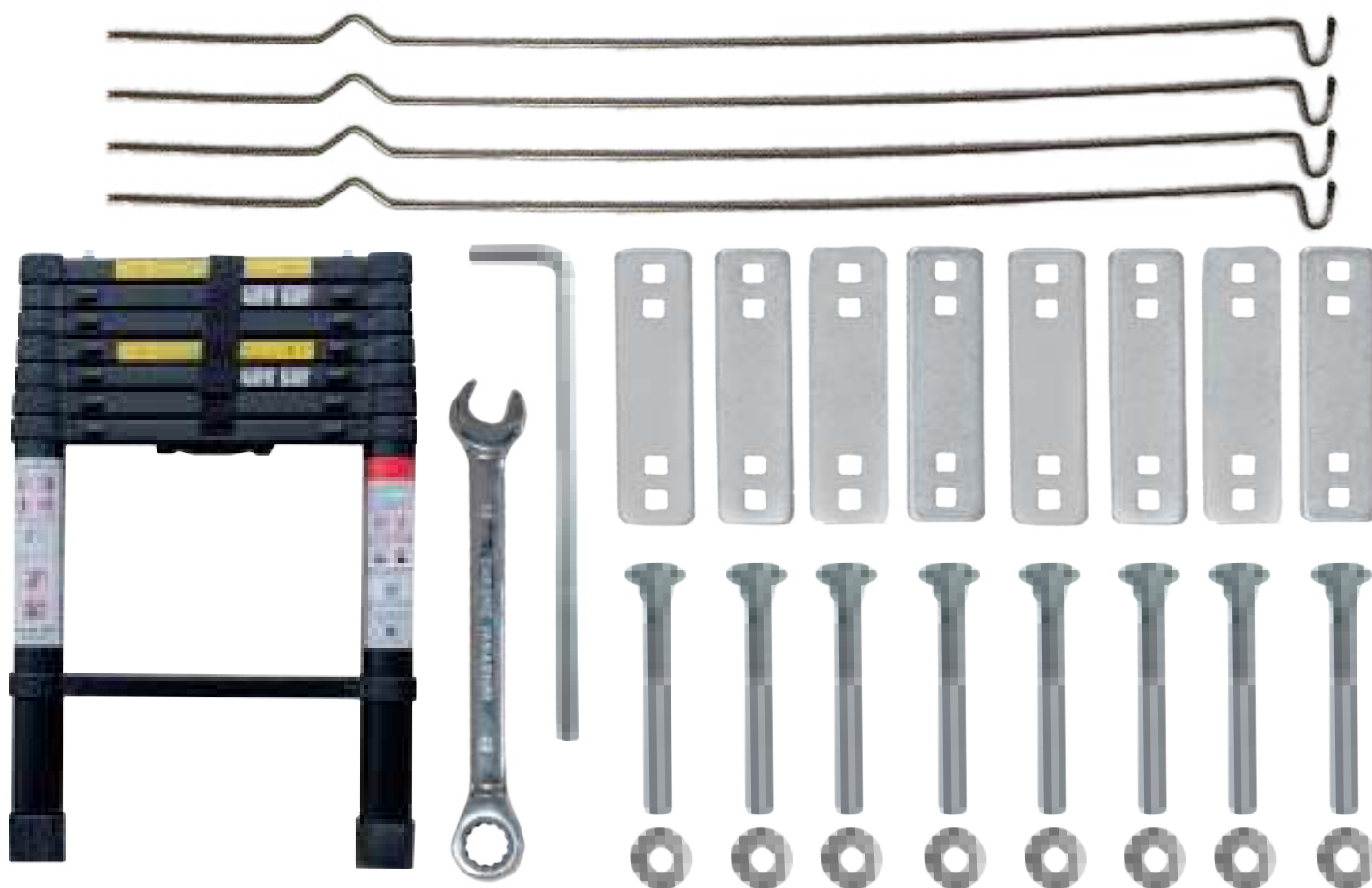
Before you start

- If you have back, knee or any other health complications, DO NOT attempt to mount the rooftop tent on your vehicle.
- The cross bars MUST have a dynamic weight load of at least 165 lbs (75 kg) and MUST be at least 30" (76 cm) apart.

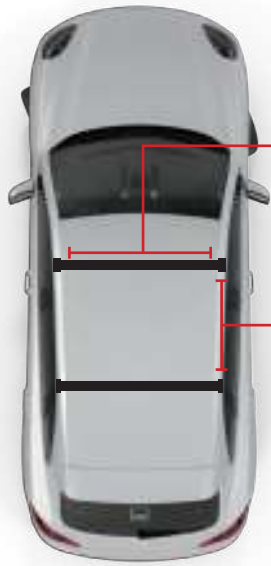
- Your vehicle MUST have a roof rack or cross bars installed to mount the rooftop tent.

After using the tent in overcast and rainy weather, avoid facing it towards moisture. When there is sunlight, remember to open it for drying before folding and storing.

Hardware Included



INSTRUCTIONS

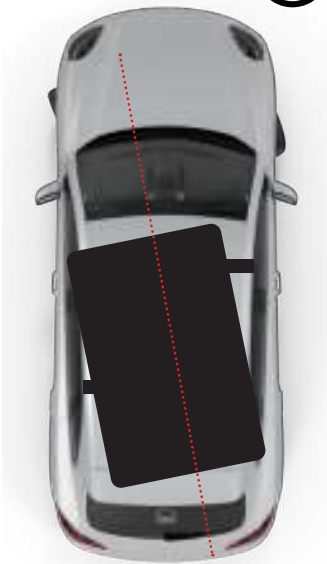
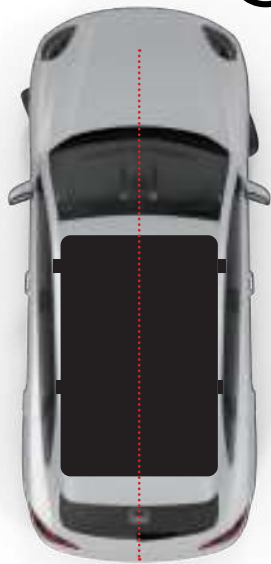


Min distance: 31.49"

Min distance: 33.46"
Max distance: 47.24"

Crossbar or mounting rack
minimum width is 35mm and
max is 85mm.

The minimum height is 25mm
and max is 45mm



Make sure the tent is centered
with the vehicle to keep it
balanced at all times. This will
help maintain the vehicle safe
at higher speeds.

INSTRUCTIONS

Mounting instructions

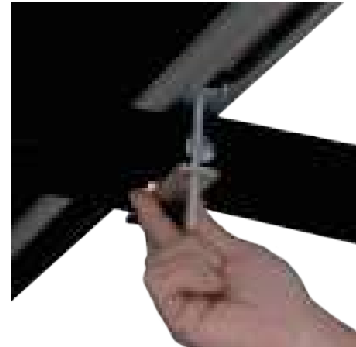
- With the help of another person, lift the tent from the front and back and place it on top of the rack or crossbars.



- Slide the bolt in the rail and position the crossbar in between the bolts. Use the help of another person to lift the tent.



- Place a plate under the crossbar aligning the holes with the bolts.



- Use two nuts to secure the mounting plate to the bolts.



INSTRUCTIONS

Opening the tent

- Set the ladder to help you gain enough height to push open the tent.
- Open the lock mechanism and lift up the tent. The tent will automatically open.
- Place the awning rod inside of the holder.
Make sure all parts are inserted into the holder.
- Finally insert the hook end of the rod into the hole on the awning.



INSTRUCTIONS

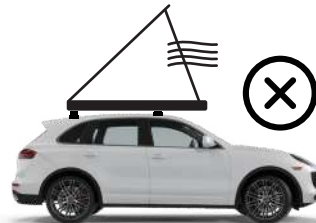
Warnings



Place the tent opening side towards the back to prevent accidental openings from the wind, and to minimize drag.



Make sure to always secure the locks to prevent air to get in the tent while driving. Never place the tent with the opening side against the drag.



Never drive with the tent open as it can be dangerous and cause damage. Always place the opening towards the back of the car.



Maintain your vehicle's speed under 75 mp/h or 120 km/h



Consider the added height to your vehicle when entering tight spaces



Remove the tent before going through a drive in car wash

INSTRUCTIONS

Before using the ladder

1. Please ensure that you are fit enough to use the ladder. It is not recommended to use the ladder when under the influence of alcohol and other drugs.
2. Make sure the ladders are secure when transporting it to prevent damage.
3. Inspect the ladder before and after each use.
4. Do not use a damaged ladder.
5. Maintain the ladder clean from mud, wet paint oil and snow.
6. Before using the ladder for work, a risk assessment should be carried out respecting the legislations in the country of use.

Positioning the ladder

1. Inclination angle should not exceed 75 degrees.
2. Ladder should be placed on an even, leveled, and unmovable base.
3. Leaning ladder should be placed against a flat, non-fragile surface and should be secure before usage.
4. Identify any hazards around the ladder before placing.
5. The ladder should be placed directly on its feet against the floor not on top of rugs or steps.
6. Don't position the ladder on slippery surfaces unless additional effective measures are taken to prevent the ladder from slipping.

INSTRUCTIONS

Using the Ladder

1. Do not exceed the maximum total load.
2. Do not over reach. Take one step at the time.
3. Do not step off a leaning the ladder at a higher level without additional security.
4. Do not stand use the ladder in dangerous weather conditions.
5. Do not let children play near the ladder.
6. Make sure to keep secure grip when ascending and descending the ladder.
7. Face the ladder when ascending and descending.
8. Do not use the ladder as a bridge.
9. Wear suitable footwear when climbing the ladder.
10. Avoid excessive side loadings.
11. Do not spend long time on the ladder without regular breaks.

INSTRUCTIONS

Opening the ladder

Each rung of the ladder has two locking pins that lock in place when the ladder is extended



Locking and unlocking the pins



UNLOCKED PIN

The pins are unlocked are if they are placed to the left side.
Slide to the right to lock.



LOCKED PIN

The pins are locked are if they are placed to the right side.
Slide to the left to unlock.

INSTRUCTIONS

Fully extended ladder

The ladder should be on firm and leveled ground. Expand each rung one by one starting from the top checking that the pins are locked. You should hear a locking sound but it is still recommended to check on each step.

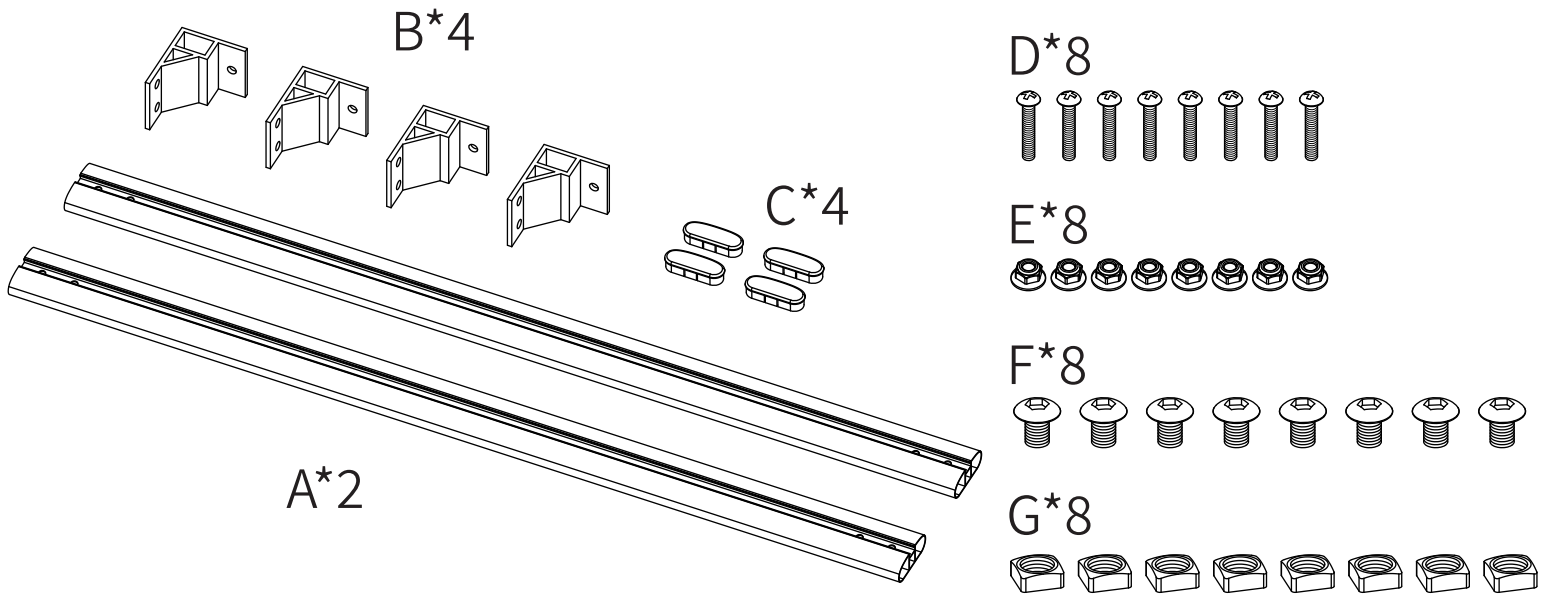
Partially extended ladder

Place ladder on firm and leveled ground. Expand each rung one by one starting from the bottom checking that the pins are locked. Make sure arms are completely extended.



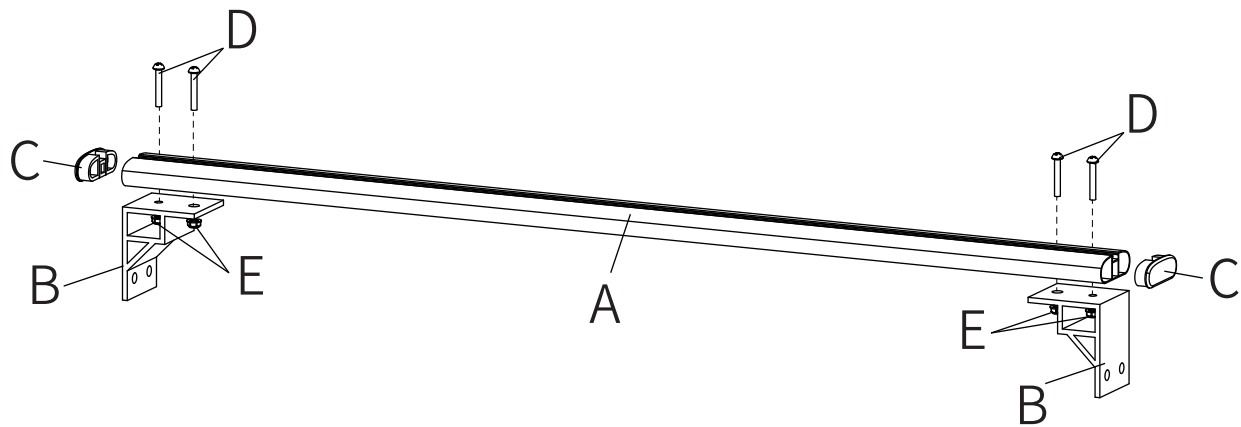
LUGGAGE RACK

Hardware Included



Assemble the racks

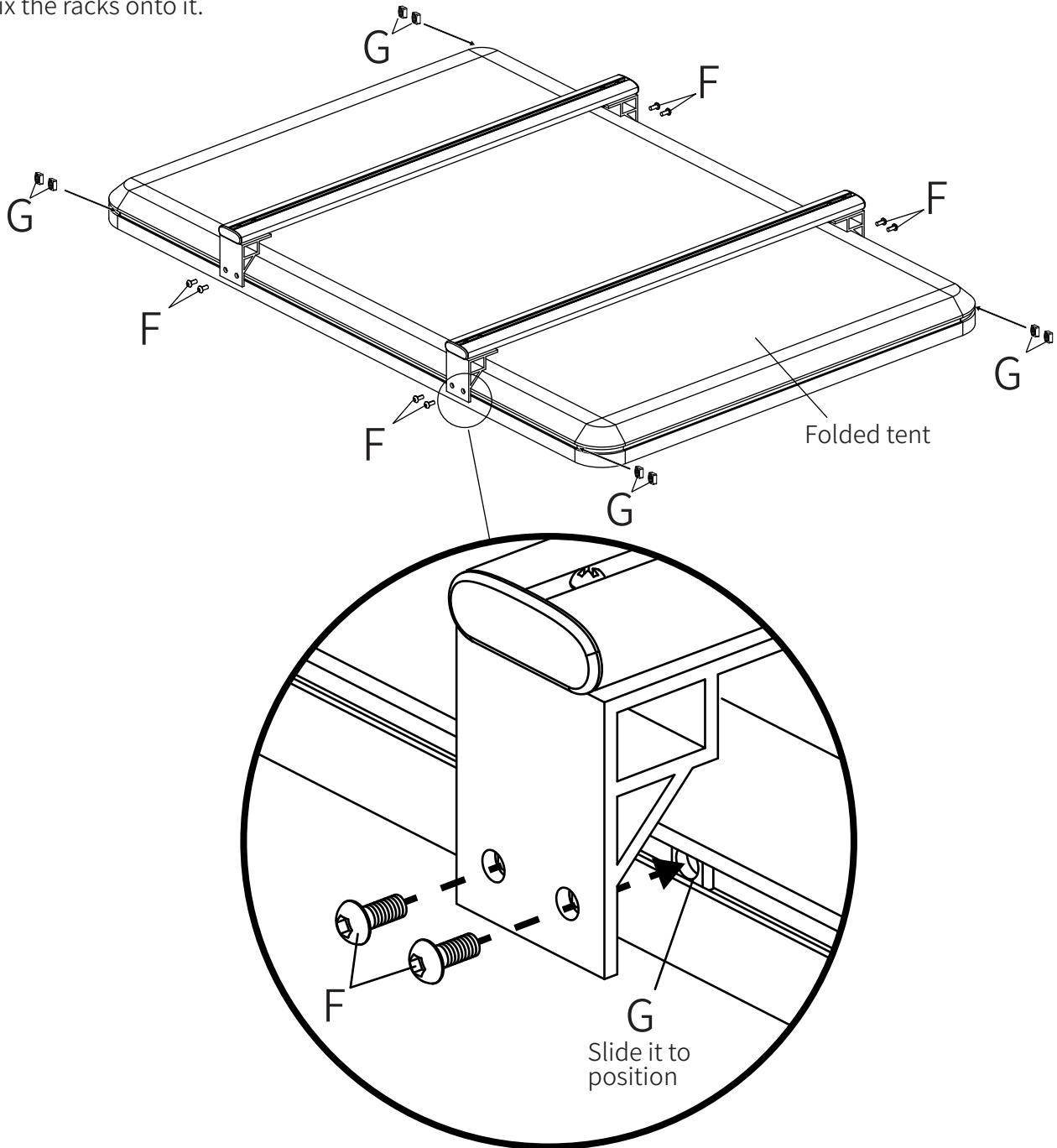
Assemble 2 racks.



LUGGAGE RACK

Install the racks

Insert G into side rail.
Then fix the racks onto it.



DETAILS

Supporting eaves

Use 4 supporting poles to hold the expanded eaves. The hook end should be on the eaves and the straight end should be in the side mounting holes.



Elastic strapping & Pulling cord

Elastic strapping & pulling cord can be used in folding steps.

Before folding the tent, pull up the elastic strapping to tie up the tarpaulin. Then pull down the pulling cord to close the tent till it's completely folded.



DETAILS

Curtains

The tent opening can be double-covered. One layer is mesh curtain to prevent mosquitoes or bugs, and the other is shading curtain to block sunlight and isolate the private space inside.



Interior features

There are 3 sets of storage bags inside the tent, and the floor mat is already laid inside.

